

DNC Series ISO6431 Standard Cylinder



Ordering code

DNC - **63** X **50** **PPV** - **A** - **S2**

Mounting

DNC: Basic type
HNC: Foot mounting
FNC: Flange mounting
SNCB: Single clevis
SNCL: Double clevis

Bore

Stroke

Cushioning

Blank: Without cushioning
PPV: With cushioning

Magnet

Blank: Without magnet
A: With built-in magnet

S2: Through piston rod
K2: Extended male piston rod thread
K3: Female piston rod thread
K7: Piston rod with external hexagon
K8: Extended piston rod

Specifications

Bore (mm)	32	40	50	63	80	100	125
Fluid	Filtered air						
Operation	Double acting						
Proof pressure	1.5MPa						
Max. operating pressure	1.0MPa						
Min. operating pressure	0.1MPa						
Cushioning	Air cushioning (Standard)						
Ambient temperature	5~60℃						
Operating piston speed	50~500mm/s						
Allowable stroke tolerance	0~250 ^{+1.0} ₀ 251~1000 ^{+1.5} ₀ 1001~1500 ^{+2.0} ₀						
Operating life	Not less than 4000Km						
Lubrication	Not required						
Port size	1/8"	1/4"	3/8"		1/2"		

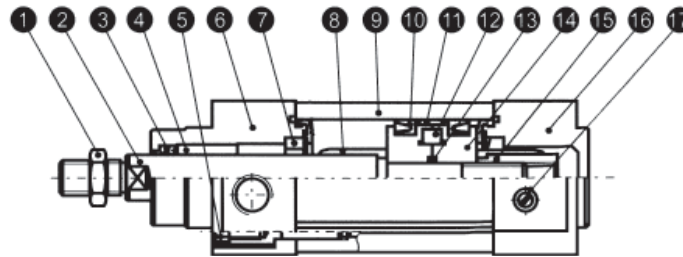
DNC Series ISO6431 Standard Cylinder

Stroke

Bore	Standard stroke	Cushioning length PPV	Max. stroke range
32	25 40 50 80	20	10-2000
40			
50	100 125 160	22	
63			
80	400 500	32	
100			

Bore	Min. stroke of proximity sensor	Type of proximity sensor
32	32	KCK2400C embedding type
40	40	
50	50	
63	63	
80	80	
100	100	

Construction



Component parts

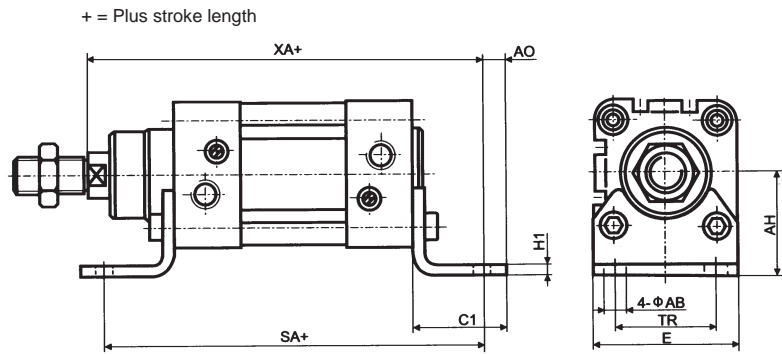
No.	Name	Material
1	Nut	35
2	Piston rod	45
3	Axes envelop	PU
4	Guide envelop	Sleeve bearing
5	Rod bolt	35
6	Front cover	ZZnAl4-1
7	Cushioning seal	NBR
8	Cushioning piston	POM

No.	Name	Material
9	Cylinder tube	A6063-TS
10	"Y"Ring	NBR
11	Washer	F4
12	Magnetic ring	Magnetic plastic
13	"O"Ring	NBR
14	Front and back piston	LY12
15	Compaction nut	LY12
16	Back cover	ZZnAl4-1
17	Adjustable valve pin	HPb59-1

DNC Series ISO6431 Standard Cylinder

● Dimensions

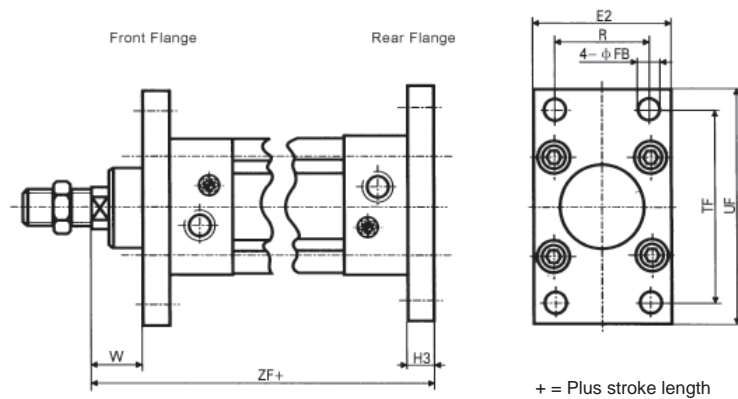
HNC...PPV-A foot mounting



Bore	AB	AH	AO	C1	E	H1	SA	TR	XA
32	7	32	6.5	30.5	45	5	142	32	144
40	10	36	9	37	54	5	161	36	163
50	10	45	10.5	41.5	64	6	170	45	175
63	10	50	12.5	44.5	75	6	185	50	190
80	12	63	15	56	93	6	210	63	215
100	14.5	71	17.5	58.5	110	6	220	75	230

● Dimensions

FNC...PPV-A flange mounting

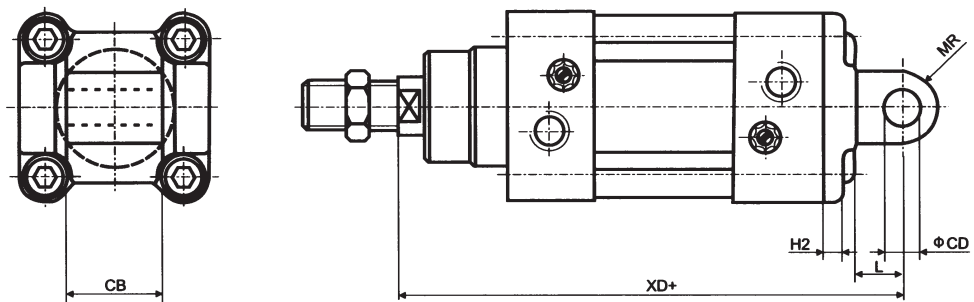


Bore	E2	FB H13	H3	R	TF	UF	W	ZF
32	50	7	10	32	64	80	16	130
40	55	9	10	36	72	90	20	145
50	65	9	12	45	90	110	25	155
63	75	9	12	50	100	125	25	170
80	100	12	16	63	126	154	30	190
100	120	14	16	75	150	186	35	205

DNC Series ISO6431 Standard Cylinder

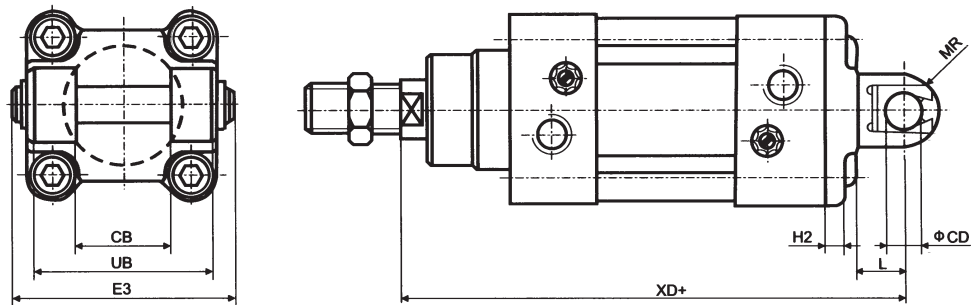
● Dimensions

SNCB...PPV-A
single clevis



+ = Plus stroke length

SNCL...PPV-A
double clevis



+ = Plus stroke length

Bore	CB	CD	E3	H2	L	MR	UB	XD
32	26	10	55	6	13	10	45	142
40	28	12	63	6	16	12	52	160
50	32	12	71	7	16	12	60	170
63	40	16	83	7	21	16	70	190
80	50	16	103	10.5	22	16	90	210
100	60	20	127	10.5	27	20	110	230