

Mechanical Valve



Ordering code

MOV

- **02**

A

Type

Button type

01: Selective knob
02: Roller type
03: With lock button
03A: Flat round button

Resetting

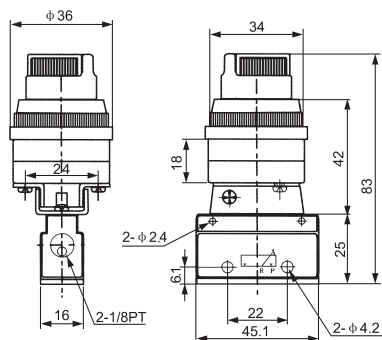
Blank: Standard type
A: Spring return type

Specifications

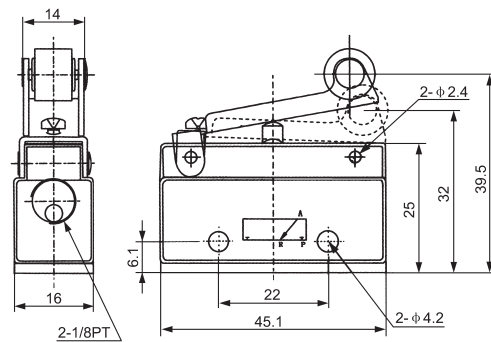
Model	MOV-01	MOV-02	MOV-03	MOV-03A
Fluid	Air			
Position and way NO.	3/2 way			
Port size	G1/8"			
Operating pressure	0~0.8MPa			
Operating temperature	0~70°C			

Dimensions

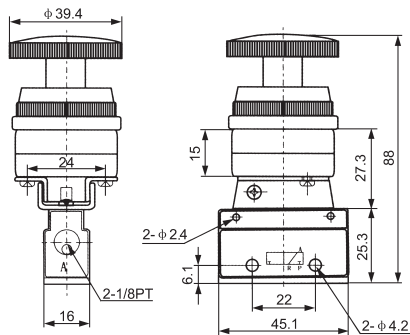
MOV-01



MOV-02



MOV-03



MOV-03A

