

V Series Solenoid Valve



Ordering code

V	52	2	-	S	-	AC220V	-	W
Valve type V: Solenoid valve A: Pneumatic control valve	Position and way number 52: 5/2 way 53: 5/3 way 32: 3/2 way 22: 2/2 way	Port size 1: G1/8" 2: G1/4" 3: G3/8" 4: G1/2"		Coil and places S: Single-head double-position D: Double-head double-position C: Double-head three-position close centre E: Double-head three-position exhaust centre P: Double-head three-position pressure centre		Coil voltage DC12V DC24V AC24V 50Hz/60Hz AC110V 50Hz/60Hz AC220V 50Hz/60Hz AC380V 50Hz/60Hz		Electrical entry Blank: Standard connector LD: Brown connector with light LD: White connector with light W: Lead wire type

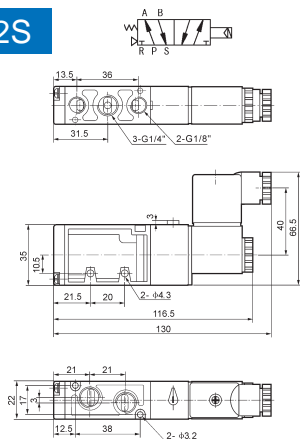
Specification

Model	V522S	V522D	V532C(E/P)	V523S	V523D	V533C(E/P)	V524S	V524D	V534C(E/P)
	A522S	A522D	A532C(E/P)	A523S	A523D	A533C(E/P)	A524S	A524D	A534C(E/P)
Position and way NO.	5/2 way		5/3 way	5/2 way		5/3 way	5/2 way		5/3 way
Effective area	14mm ² (CV=0.78)		12mm ² (CV=0.67)	25mm ² (CV=1.40)		18mm ² (CV=1.00)	50mm ² (CV=2.79)		30mm ² (CV=1.68)
Fluid	40 micron filtered air								
Operation	Inside pilot type								
Operating pressure	0.15~0.8MPa								
Proof pressure	1.2MPa								
Operating temperature	5~50℃								
Allowable voltage	±10% of rated voltage								
Power consumption	AC: 4.5VA DC: 2.5W								
Coil insulation & protection grade	Class F. IP65								
Electrical entry	Lead wire or connector type								
Highest action frequency	5 cycle / second								
Shortest excitation time	0.05 second								

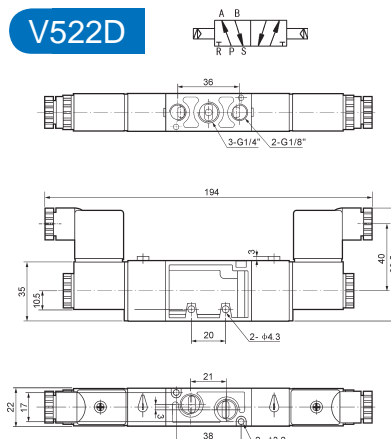
V Series Solenoid Valve

● Dimensions

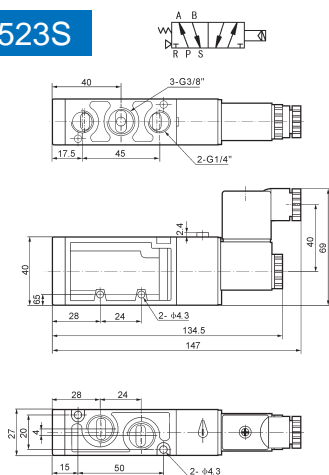
V522S



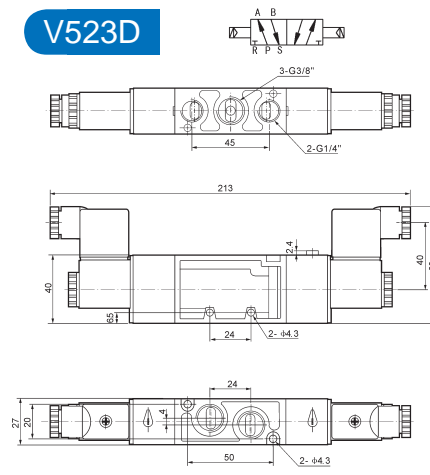
V522D



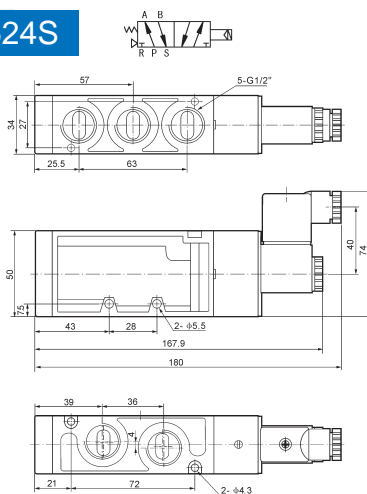
V523S



V523D



V524S



V524D

