

4V300 Series Solenoid Valve, Pneumatic Control Valve



Ordering code

4V

Specification

4V:5/2(3) way solenoid valve
4A:5/2(3) way pneumatic control valve
3V:3/2 way solenoid valve
3A:3/2 way pneumatic control valve

3

Series

300 series

10

Coil and places

10:Single-head double-position
20:Double-head double-position
30C:Double-head three-position close centre
30E:Double-head three-position exhaust centre
30P:Double-head three-position Pressure centre

10

Port size

08: 1/4"
10: 3/8"

B

Joint pipe form and initial state

Blank:Pipe connection type
B:5/2 way plate connection type
5/3 way plate connection type
NC:3/2 way normal close type
NO:3/2 way normal open type

AC220V

Coil voltage

DC12V
DC24V
AC24V 50Hz/60Hz
AC110V 50Hz/60Hz
AC220V 50Hz/60Hz
AC380V 50Hz/60Hz

W

Electrical entry

Blank:Standard connector
LD:Brown connector with light
LD:White connector with light
W: Lead wire type

Specifications

Model	4V310-08	4V320-08	4V330C-08	4V330E-08	4V330P-08	4V310-10	4V320-10	4V330C-10	4V330E-10	4V330P-10
	4A310-08	4A320-08	4A330C-08	4A330E-08	4A330P-08	4A310-10	4A320-10	4A330C-10	4A330E-10	4A330P-10
Position and way NO.	5/2 way		5/3 way			5/2 way		5/3 way		
Effective area	25mm ² (CV=1.40)		18mm ² (CV=1.00)			30mm ² (CV=1.68)		18mm ² (CV=1.00)		
Model	3V310-08	3V320-08	3A310-08	3A320-08	3V310-10	3V320-10	3A310-10	3A320-10		
Position and way NO.	3/2 way				3/2 way					
Effective area	25mm ² (CV=1.40)				30mm ² (CV=1.68)					
Port size	Air inlet=Air outlet=Exhaust=G1/4"				Air inlet=Air outlet=G3/8" Exhaust=G1/4"					
Fluid	40 micron filtered air									
Operation	Inside pilot type									
Operating pressure	0.15~0.8MPa									
Max. proof pressure	1.2MPa									
Temperature	5~50℃									
Allowable voltage	±10% of rated voltage									
Power consumption	AC: 4.5VA DC: 3W									
Coil insulation & protection grade	Class F. IP65									
Electrical entry	Lead wire or connector									
Highest action frequency	5 cycle / second									
Shortest excitation time	0.05 second									



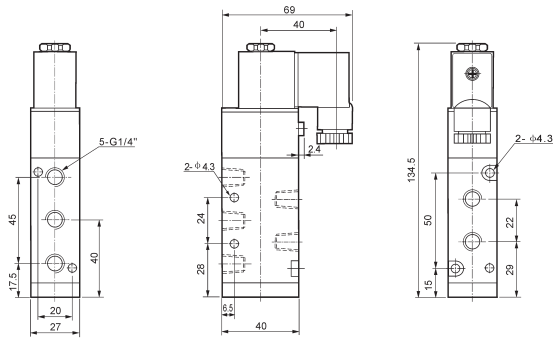
VOGUE PNEUMATICS

Ningbo Vogue Pneumatics Industry Co., Ltd.

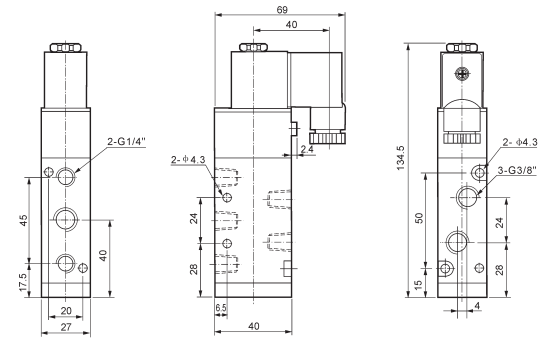
4V300 Series Solenoid Valve

Dimensions

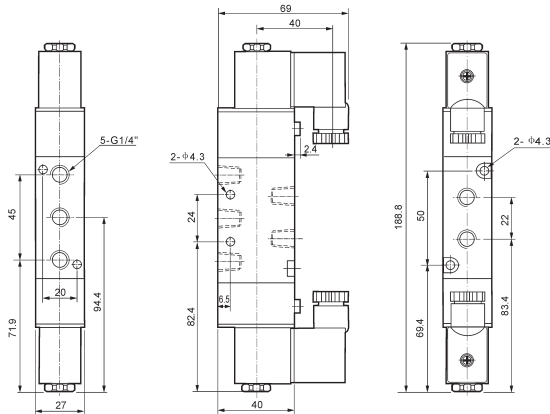
4V310-08



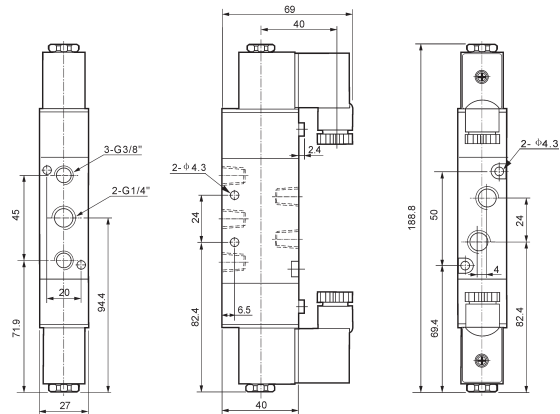
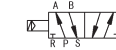
4V310-10



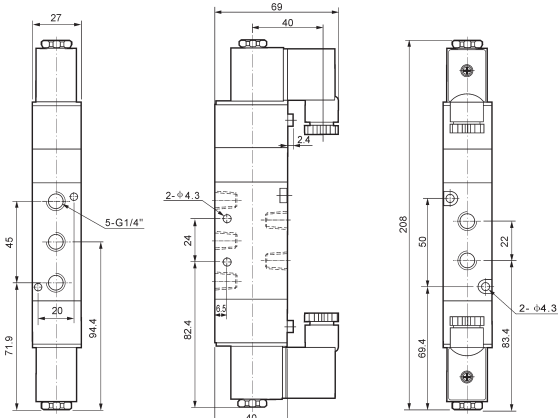
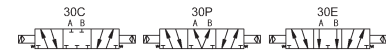
4V320-08



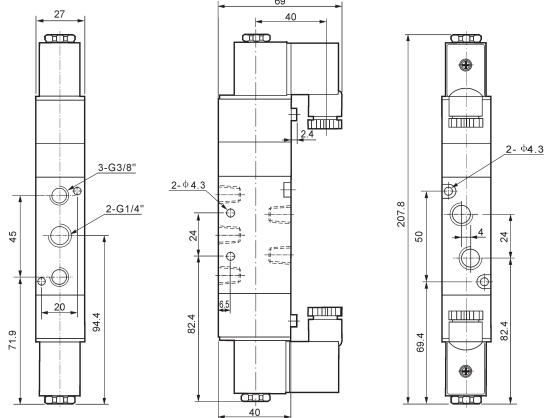
4V320-10



4V330-08



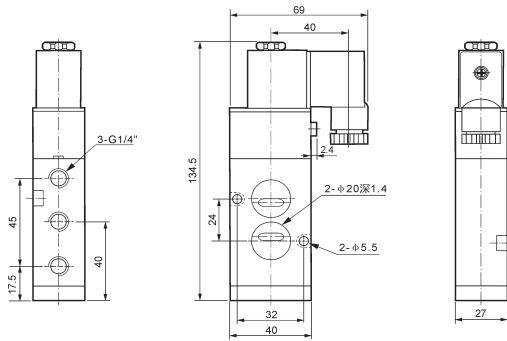
4V330-10



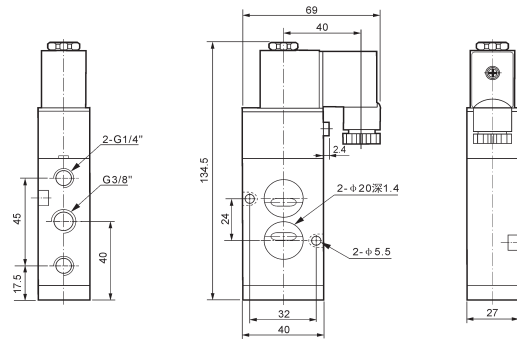
4V300 Series Solenoid Valve

Dimensions

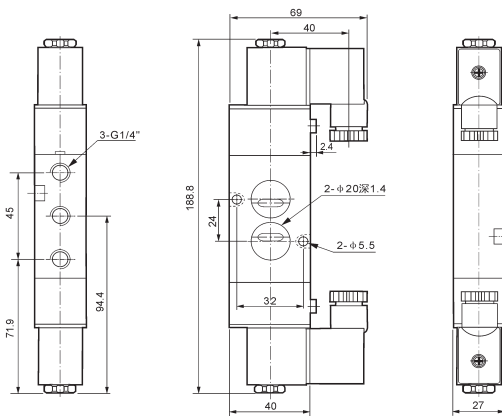
4V310-08B



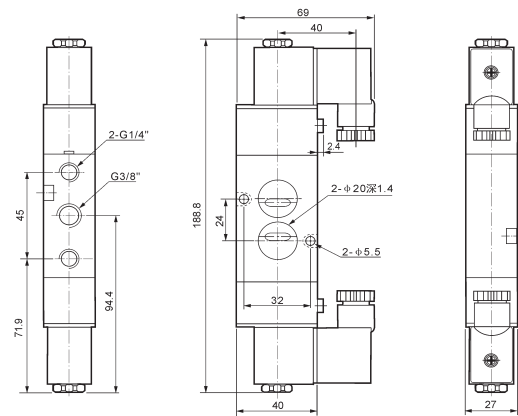
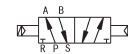
4V310-10B



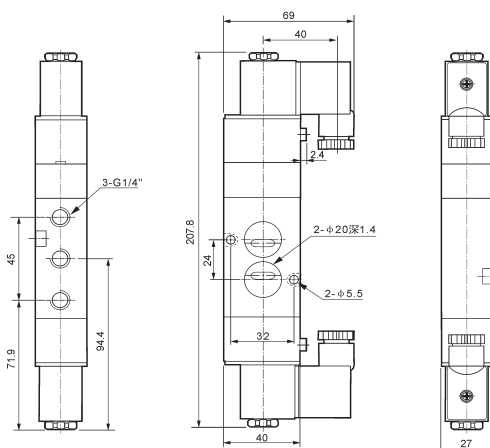
4V320-08B



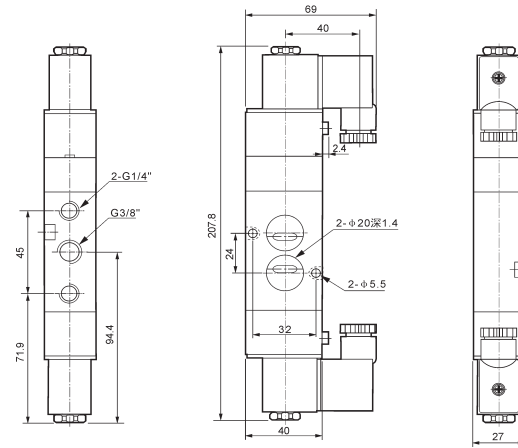
4V320-10B



4V330-08B



4V330-10B





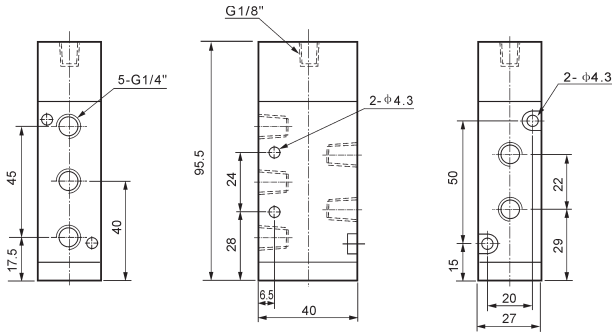
VOGUE PNEUMATICS

Ningbo Vogue Pneumatics Industry Co., Ltd.

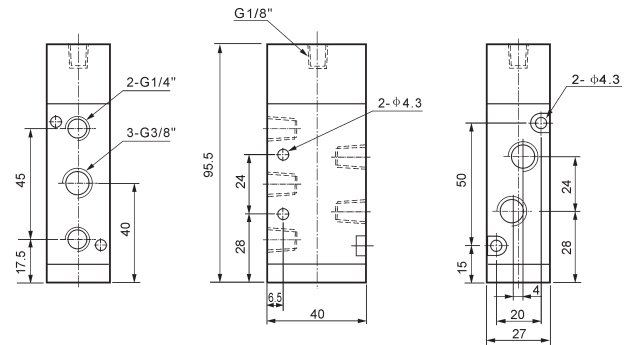
4A300 Series Pneumatic Control Valve

Dimensions

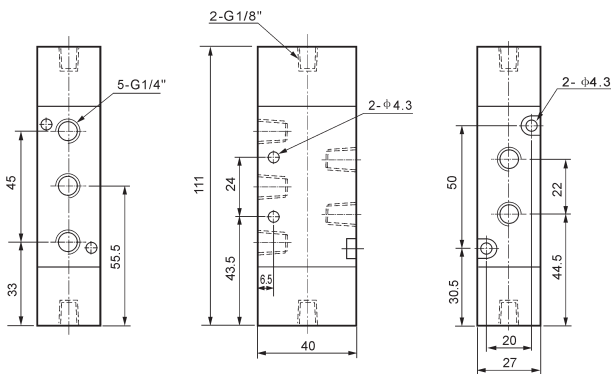
4A310-08



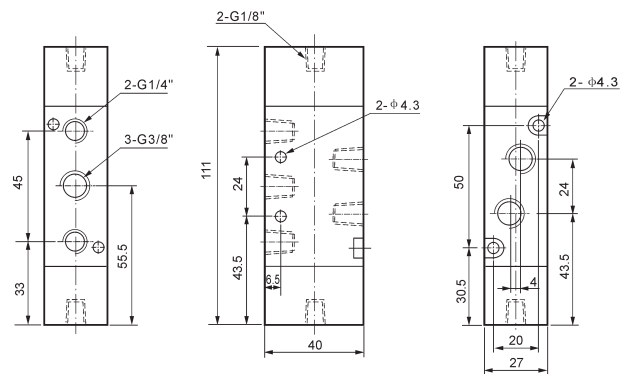
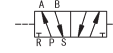
4A310-10



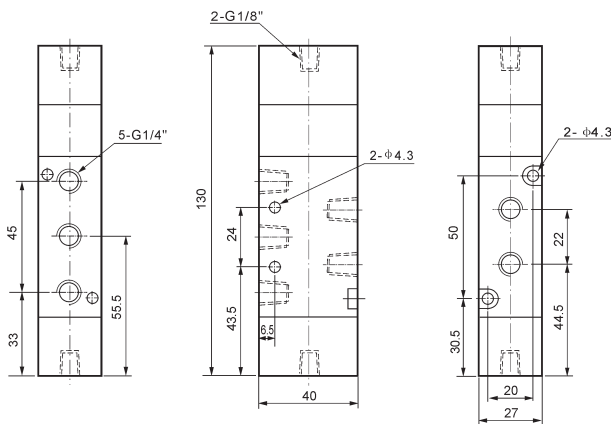
4A320-08



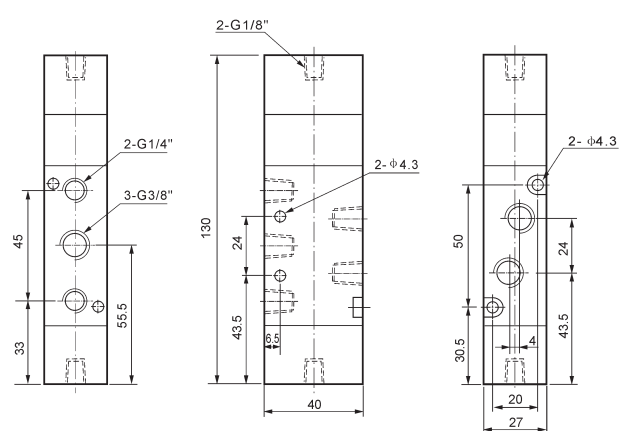
4A320-10



4A330-08



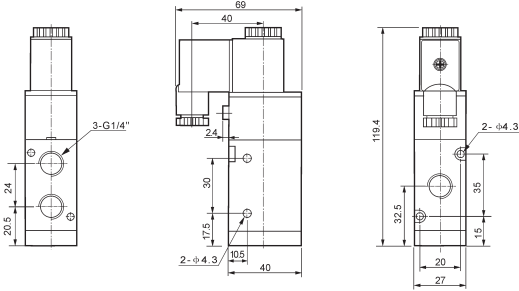
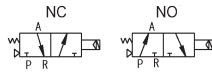
4A330-10



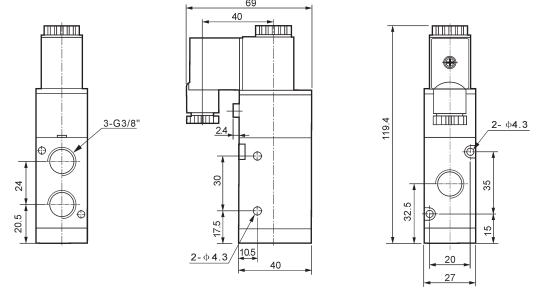
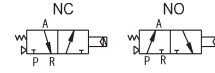
3V300 Series Solenoid Valve & 3A300 Series Pneumatic Control Valve

● Dimensions

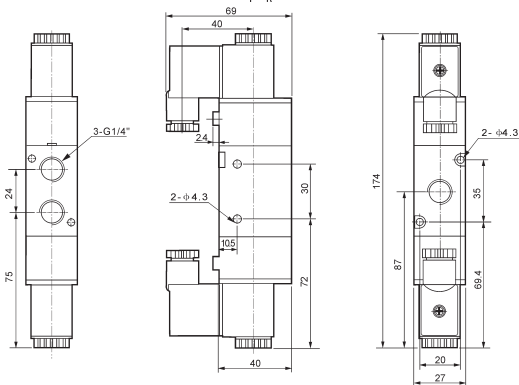
3V310-08



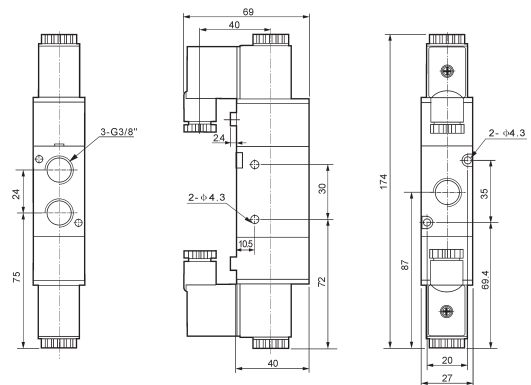
3V310-10



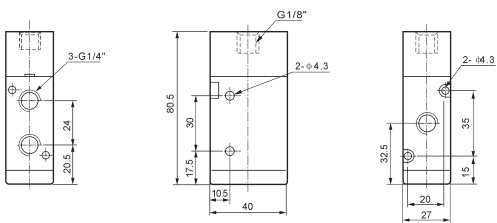
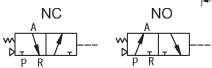
3V320-08



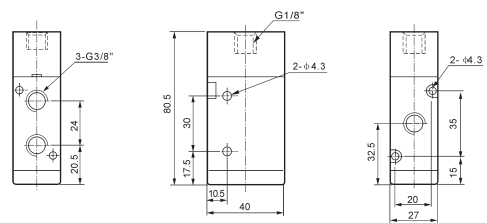
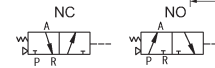
3V320-10



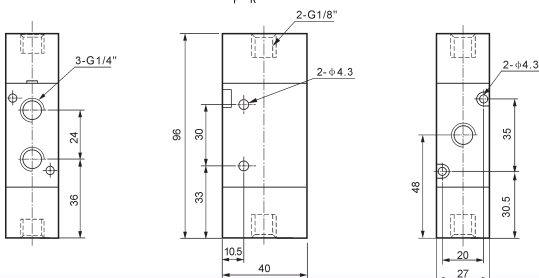
3A310-08



3A310-10



3A320-08



3A320-10

